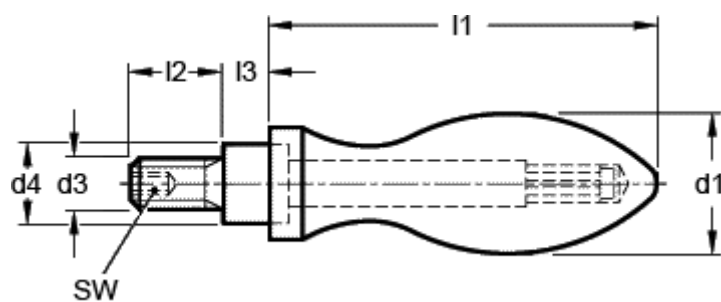


Article number: 20110030

Description: E+G Revolving handle
DIN 98-ST-32-E

Measures



| | |
|------------|--------|
| d1 | = 32 |
| d3 | = M12 |
| d4 h13 | = 20 |
| l1 approx. | = 95 |
| l2 | = 21 |
| l3 | = 10.5 |
| SW | = 6 |